

STR101P-HD-A1

Features:

- >2pcs STR101P-HD-A1
- >No power required, simplified project wiring
- >Compatible with HDCV1/ HDTV1/ AHD
- >Transmission distance (over Cat 5E/6):
 - HDCV1 720P/400m; 1080P/250m/4MP:200m;
 - HDTV1 720P&1080P/250m/4MP: 200m;
 - AHD 720P/350m; 1080P/200m//4MP: 200m
- >Plug and play, real-time transmit CCTV HD video signal, video is high quality and stable
- >Anti-interference, super lightning protection, ESD
- >ABS outer shell, convenient to use in intensive project
- >Push-terminal, easier for installation

Advantages:

- >Mini size, push-terminal, easier for installation
- >Economical type

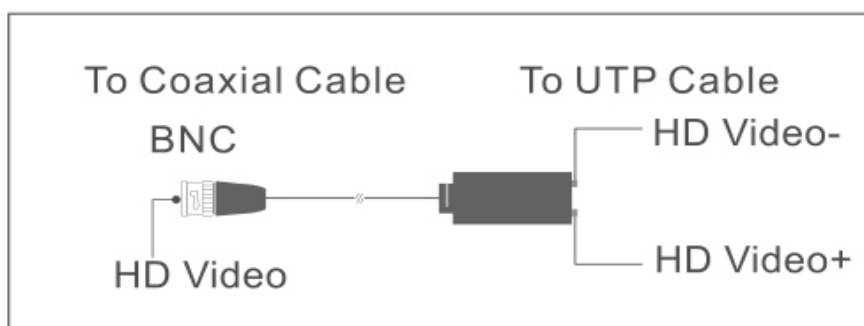
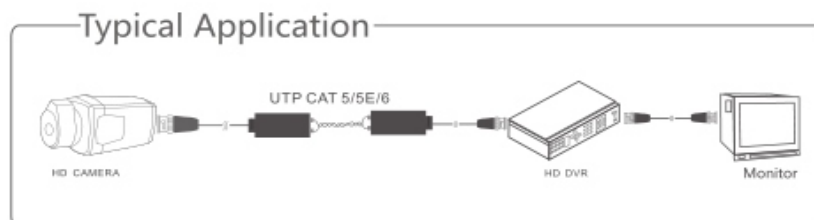
Specifications:

Transmission Signal: 1 channel

Transmission Distance:

- > HDCVI 720P: 400m/1080P:250m/4MP:200m;
- > HDTV1 720P & 1080P: 200m/4MP:200m;
- > AHD 720P: 350m/1080P:200m/4MP:200m

Application Example:



Video Balun
HD UTP

Specifications:

Category Type: UTP CAT5/ 5E/ 6
Twisted-pair Video Connector: BNC-M
Compatible Format: HDCVI/HDTV1/AHD
Resolution: 720P/1080P
Ant-interference: >60db

ESD:

- >1a contact discharge electricity level3
- >1b air discharge electricity level3
- >Per: IEC61000-4-2

Coaxial Cable Connector: 2KV(common-code)
 Per:IEC1000-4-5

UTP Cable Connector: 2KV(different-code),
 4KV(common-code),
 Per:IEC1000-4-5

BNC Male: 75 ohms

UTP Cable: 100 ohms

Shell: ABS

Color: Black

MTBF: >10000H

Operating Temperature: -10-55°C

Storage Temperature: -20-70°C

Humidity: 0-95%(non-condensing)