

STR70S-HBT

The cat5e/cat6 HDMI Extender is a tool which can extend your HDMI signal over 230fts/70meters to a compatible display. It is designed to convert HDMI signal to standard HD BaseT signal which can be transmitted by LAN cable. It also supports Transfer Bidirectional Infrared control signal together with the HDMI signal, so you can control the Source in the Sink side which is 230fts outside, also you can control the Sink in the Source side which is 230fts outside by using the HDMI Extender.

Features:

- > POE(Power Over Ethernet)function is supported, either TX or RX is powered by24V@1A power supply, another does not need power from the DC jack. POE Power consumption is less than 10W. ※ **See the description 1**
- > Use single UTP LAN cable (CAT-5E/6) to substitute HDMI cable to achieve long distance transmission.
- > UTP termination follows the standard of direct interconnection method.
- > **Transmission distance:** ※ Over CAT6 cable
 - 70 meters: 1080P @60Hz36bit; 3D1080P@30Hz36bit;
 - 40 meters: 1080P @60Hz@48bit; 1080P @120Hz@24bit; 3D1080P@60Hz@36bit; 4K x 2K@30Hz@24bit.
- > Support display resolutions up to 4K x 2K@30Hz
- > Full HD support: 1080p@60Hz@48 bit/pixels, 1080p@120Hz @24 bit/pixels, 3D 1080P60Hz and 4K x 2K@30Hz@24bit
- > Transfer Bidirectional Infrared control signal together with the HDMI signal. ※ **See the description 2.**
- > Transfer Bidirectional RS232 control signal together with the HDMI signal. ※ **See the description 3.**



(HD BaseT)

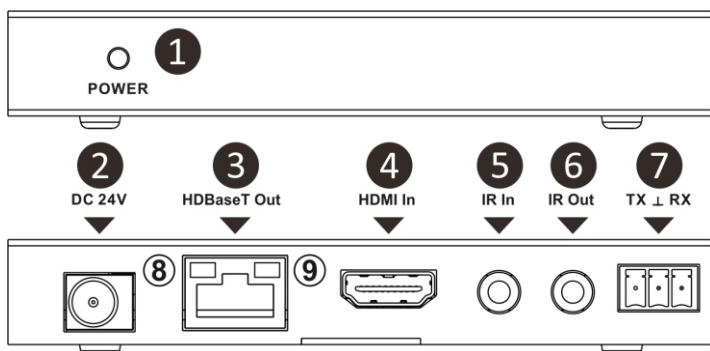
HDMI Extender over Cat5e/Cat6

Specifications:

- 1pc HDMI Extender Transmitter+1pc HDMI Extender Receiver+2pcs Wideband IR TX+2pcs Wideband IR RX+ 1pc 24V1A DC Power Supply+4pcs Mounting ears
- Frequency Bandwidth:** 297MHz[10.2Gbps]
- Transmitter Input/Output Ports:** 1x HDMI Female port/ 1xCAT6 1x IR Tx/1x IR Rx/1xPhoenix
- Receiver Input/Output Ports:** 1xHDMI Female port/1xCAT6 1x IR Tx/1x IR Rx/1xPhoenix
- Power Supply:** DC 24V 1A
- ESD Protection:** ± 8kV (air-gap discharge)
- Human Body Model:** ± 4kV (contact discharge)
- Dimensions (mm):** 65(W) X 115 (D) X 17 (H)
- Weight:** 200g x 2
- Operating Temperature:** 0°C ~ 40°C / 32°F ~ 104°F
- Storage Temperature:** -20°C ~ 60°C / -4°F ~ 140°F
- Relative Humidity:** 20~90% RH (Non-condensing)
- Power Consumption (Max):** 20W

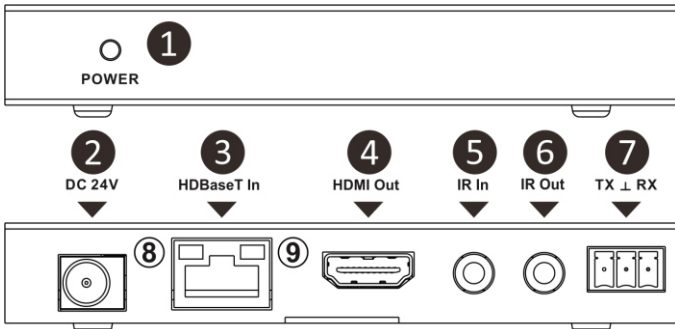
Operation controls and Functions:

Transmitter



- ① **POWER:** This LED illuminates when the device is connected with power supply.
- ② **DC 24V:** Plug the 24V DC power supply into the unit.
- ③ **HD BaseT OUT:** Standard HD BaseT signal output port. Connect HD BaseT receiver with a UTP cable following the standard of direct interconnection method.
- ④ **HDMI IN:** HDMI input port. This slot is where you connect the HDMI source.
- ⑤ **IR IN:** Channel 2 IR Receiver. Connect with Wideband IR Rx.
- ⑥ **IR OUT:** Channel 1 IR Transmitter. Connect with Wideband IR Tx.
- ⑦ **RS232:** Phoenix jack provide Serial port control signal from receiver or to receiver.
- ⑧ **Connection Signal Indicator Lamp**
 - ※ Illuminate: The Transmitter and Receiver are in good connections status.
 - ※ Flashing: The Transmitter and Receiver are in poor connections status.
 - ※ Dark: The Transmitter and Receiver are not connected.
- ⑨ **Data Signal Indicator Lamp**
 - ※ Illuminate: The HDMI signal with HDCP.
 - ※ Flashing: The HDMI signal without HDCP.
 - ※ Dark: No HDMI signal.

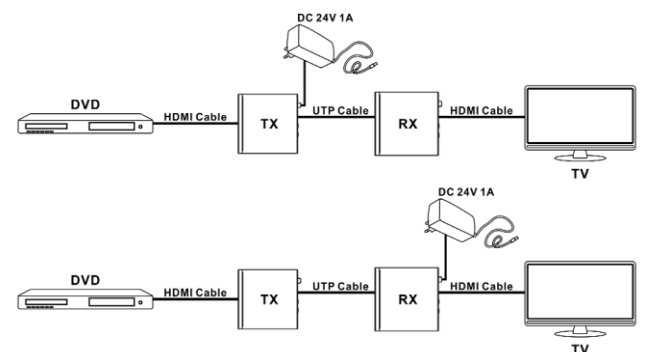
Receiver



- ① **POWER:** This LED illuminates when the device is connected with power supply
- ② **DC 24V:** Plug the 24V DC power supply into the unit.
- ③ **HD BaseT IN:** Standard HD BaseT signal input port. Connect HD BaseT transmitter with a UTP cable following the standard of direct interconnection method.
- ④ **HDMI OUT:** HDMI output port. This slot is where you connect the HDTV or monitor with HDMI cable.
- ⑤ **IR IN:** Channel 1 IR Receiver. Connect with Wideband IR Rx.
- ⑥ **IR OUT:** Channel 2 IR Transmitter. Connect with Wideband IR Tx.
- ⑦ **RS232:** Phoenix jack provide Serial port control signal from receiver or to receiver.
- ⑧ **Connection Signal Indicator Lamp**
 - ※ Illuminate: The Transmitter and Receiver are in good connections status.
 - ※ Flashing: The Transmitter and Receiver are in poor connections status.
 - ※ Dark: The Transmitter and Receiver are not connected.
- ⑨ **Data Signal Indicator Lamp**
 - ※ Illuminate: The HDMI signal with HDCP.
 - ※ Flashing: The HDMI signal without HDCP.
 - ※ Dark: No HDMI signal.

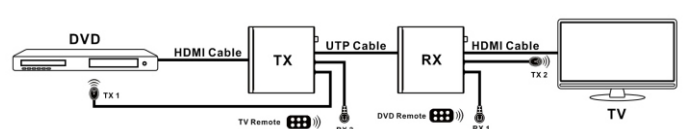
※ Description 1

POE(Power Over Ethernet) Application Example



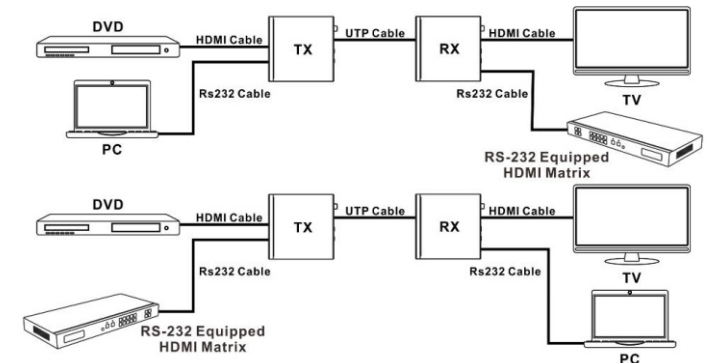
※ Description 2

Bidirectional Infrared control Application Example



※ Description 3

Bidirectional RS232 control Application Example



Application Example:

