

STR8412-HDV

1x2 HDMI Splitter distributes 1 HDMI source to 2 HDMI displays simultaneously. It offers HD video solution for super market, shopping Mall, HDTV/STB/DVD/Projector /DVR factory, data control center, information distribution, conference room presentation, education and training, corporation showroom, luxurious house, etc..

Features:

- > 1 HDMI input signal split to 2 HDMI sink devices.
- > HDCP 1.4 protocol compliant.
- > 3D HDMI 1.4a video format support.
- > 3D video support including frame packing for all 3D formats up to a 297MHz TMDS clock.
- > Support display resolutions up to 4K x 2K@30Hz.
- > 80P@120Hz, and 1080P 3D@60Hz
- > Support deep color 30bit, 36bit, 48bit per pixel.
- > Digital audio format, as DTS-HD/Dolby-true-HD/LPCM /DTS/Dolby-AC3/DSD.

Specifications:

1pc HDMI Splitter 1x2 + 1pc Power supply adaptor 5V/1A DC

Frequency Bandwidth: 2.97Gbps

Input: 1 x HDMI Female

Output: 2 x HDMI Female

Power Supply: DC 5V 1A

ESD Protection Human Body Model:

- ± 8kV (air-gap discharge)
- ± 4kV (contact discharge)

Dimensions (mm): 60(W) X 70 (D) X 20 (H)

Weight: 125g

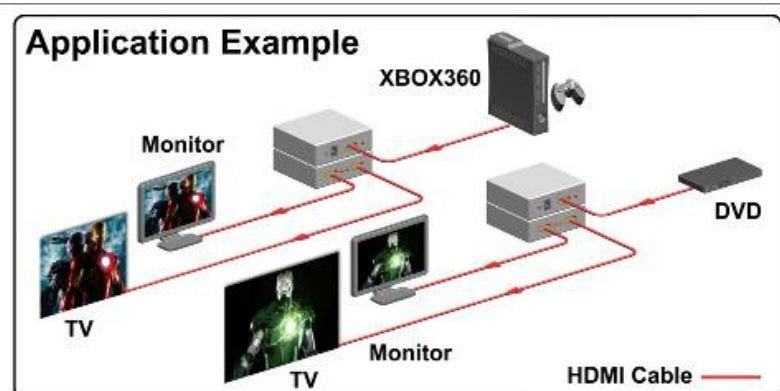
Operating Temperature: 0°C ~ 40°C / 32°F ~ 104°F

Storage Temperature: -20°C ~ 60°C / -4°F ~ 140°F

Relative Humidity: 20 ~ 90% RH (Non-condensing)

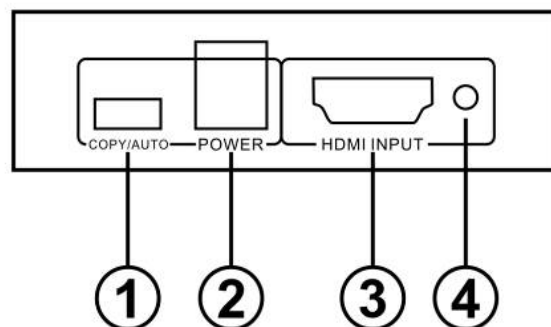
Power Consumption (Max): 5W

Application Example:



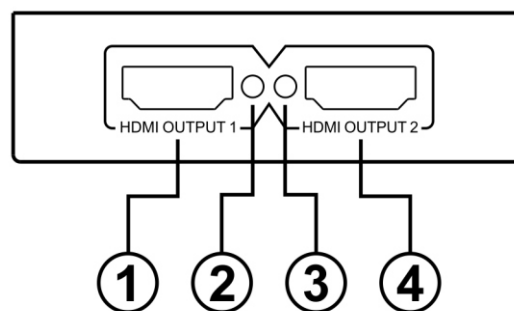
Splitter 1 × 2 WITH EDID
HDMI 1.4

Operation controls and Functions: Front Panel



- ① **EIDI Mode:**
Copy Mode: copy output 2 EDID to input port.
Auto Mode: Compare output port 1 and 2 EDID.
- ② **DC 5V:** Plug the 5V DC power supply into the unit and connect the adapter to AC wall outlet.
- ③ **HDMI Input:** This slot is where you connect the HDMI source output from DVD, PS3
- ④ **Input LED:** This red LED illuminate when the HDMI signal plug in.

Rear Panel:



- ① **Output 1:** This slot is where you connect the HDTV or monitor with HDMI cable.
- ② **Output 1 LED:** This red LED illuminate when the TV plug in HDMI output Port 1.
- ③ **Output 2 LED:** This red LED illuminate when the TV plug in HDMI output Port 2.
- ④ **Output 2:** This slot is where you connect the HDTV or monitor with HDMI cable.